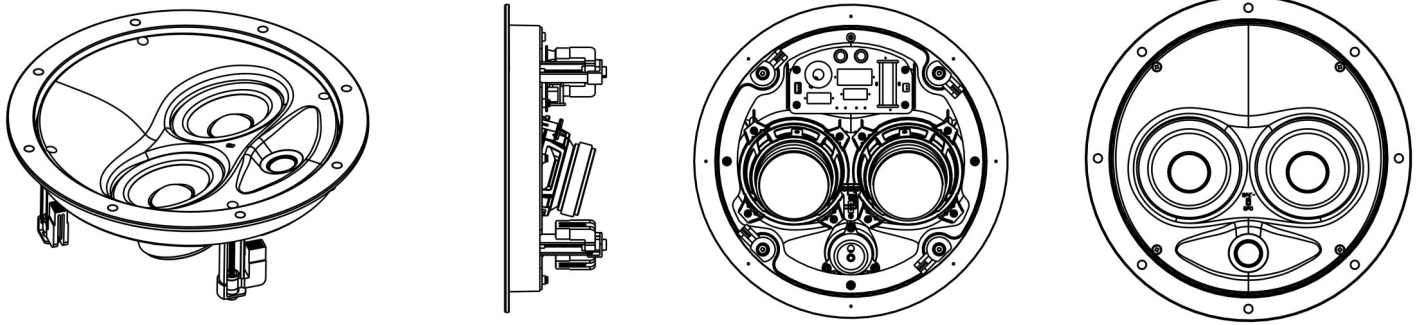




# C34E<sub>MK2</sub> IN-CEILING SPEAKER

## INSTALLATION INSTRUCTIONS



As the members of the close-knit RSL family, we thank you for inviting our speakers into your home. You've heard great things about our in-ceiling speakers and now you're about to hear great things FROM your new speakers. The C34E<sub>MK2</sub> is the latest generation of our famous in-ceiling speaker, offering improved sound, efficiency and an adjustable tweeter level control. Your C34E<sub>MK2</sub>'s are eager to please you with great sound from movies and music. Following this little guide will help them give you their best.

The C34EMK2 is a non-typical design for in-ceiling speakers. It uses a lateral driver alignment instead of the stacked driver approach (the tweeter blocking the woofer) found in most in-ceiling speakers. For good measure, we threw in some audiophile niceties like higher a quality crossover network found in costly bookshelf speakers, along with time aligned and Klippel verified drivers. All of this contributes to a more accurate, life-like listening experience. Most companies make it difficult to find their phone numbers, but not us (800-905-5485). If you need any help, please email or call us.

### Included in box:

- RSL C34E<sub>MK2</sub> in-ceiling speaker
- Installation template
- Magnetic grill
- Short mounting arms for ceilings thicker than 3/4"
- Paint shield

### Pre-Installation Info:

- The C34E<sub>MK2</sub> features a proprietary angled baffle design (15 degrees) that allows the sound to be directed optimally. Once speaker placement is determined, before tightening the mounting arms, rotate each C34E<sub>MK2</sub> to direct the sound appropriately.
- For further adjustment, the C34E<sub>MK2</sub> tweeter can swivel independently (up to 15 degrees in any direction). Make sure to push only along the perimeter of the tweeter. Do not push on the dome.
- Tweeter Control - The C34E<sub>MK2</sub> includes a control to adjust the output of the tweeter. Normally, we recommend the 0db setting. However, in very live spaces we recommend the -2db setting. Also, in applications with low ceilings (where the C34E<sub>MK2</sub> is in close proximity to your ears, we recommend selecting the -2db setting). As always, we encourage experimentation to determine the best settings for you.
- If sound leakage into adjacent rooms is a concern, install extra insulation in the cavity surrounding the rear of the speaker.
- In excessively dusty environments, protective speaker covers or plastic sheeting are recommended to keep dust off the speakers.
- The C34E<sub>MK2</sub> **does not require a backer box** and can be installed directly into open space (recommended). If a backer box is deemed necessary, make the box as large as possible within the available space. Lining the box with insulation is also recommended. For stereo use without a subwoofer, a minimum volume of 1 to 1 1/2 cubic feet is necessary for proper bass response from the speaker.

- If additional insulation is required for your installation, we recommend using denim insulation. Denim insulation is easy to work with, does a great job absorbing sound, and is available on the internet and in home improvement stores.
- Once installed, C34E<sub>mk2s</sub> can be easily removed for cleaning or adjusting. Compressed air is recommended for cleaning. Do not put C34E<sub>mk2s</sub> in your washing machine.

## Installation

For wiring, we recommend using high quality 12 gauge speaker wire.

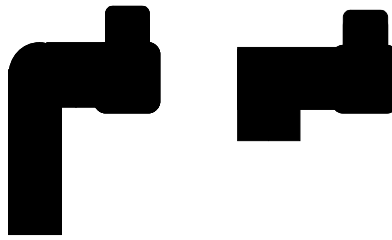
1. Remove the magnetic grill from the speaker.
2. Locate the cardboard template included with the speakers, and place it on the ceiling exactly where you want the speaker to be installed.
3. Hold the template in place and trace around it with a pencil. This will be your cutting line.
4. **WAIT!** Before cutting, you'll want to survey the area inside the ceiling to make sure its clear of any wires, pipes, or other potentially-hazardous obstructions.
  - Drill a hole in the center of the outline that you traced with the template.
  - Insert a bent coat hanger, or a wire, into the hole to make sure that the entire area behind the intended speaker location is free of obstructions. Also make sure that there is sufficient depth to accommodate the rear of the speaker.
5. When you have determined that the entire area is free from obstructions, proceed to cut along the line using a drywall saw. If possible, try to cut just inside the line to avoid making the hole too large (it's always easier to take a little more off, than to put some back on. We know we've tried).
6. Run the speaker wire from your receiver to the hole in the ceiling where the speaker will go.
7. Now connect the speaker wire from your receiver to the terminals on your speaker.
  - The C34E<sub>mk2</sub> are equipped with push terminals. You will need to push down on the terminal until the insertion hole is open enough to receive the bare end of speaker wire.
  - Double-check that you have connected positive (+) to positive (red), and negative (-) to negative (black)
  - Make sure both the positive and negative wires are properly inserted and will not easily disconnect.
  - **Also, make sure there are no loose wire strands that could come in contact with the wire or terminal of the opposite polarity. This will cause a short and may damage your equipment.**
8. Now that you've connected the wire, you can grab a screwdriver and prepare to install the speaker. Insert the speaker into the hole and lightly tighten each of the four anchor screws enough to hold the speaker in place, but will allow you to rotate it for the best sound. After that, continue to tighten the screws until you begin to feel resistance. **Do not over tighten.**
9. When each of the four anchor screws are tightened properly, you can place the magnetic grill over the speaker until it sticks.
10. Now put the screwdriver down, take a deep breath, and admire your work! You're finished! Feel free to give yourself a pat on the back.

**Caution:** Repeated back-patting may cause bruising, swelling, and mild tenderness if excess force is applied.

Note: The RSL C34E speakers easily removable and re-installable if necessary. To remove, hold the speaker with one hand and loosen each of the four screws with the other until the speaker is no longer anchored. Gently ease the C34e out of the ceiling and disconnect the speaker wire.

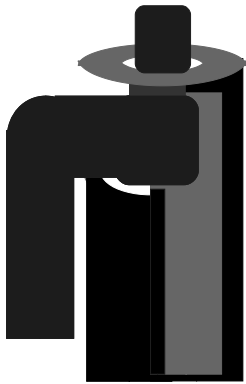
## Thick-Ceiling Mounting-Arm Instructions

Standard-Ceiling Arm

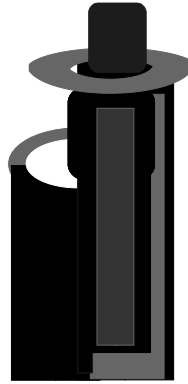


Thick-Ceiling Arm

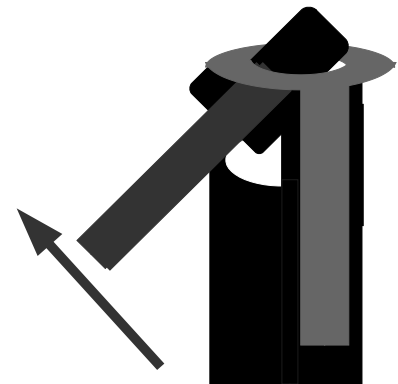
The standard mounting arms of the RSL<sub>Mk2</sub> accommodate ceilings with a maximum thickness of 3/4 inch. For ceilings with a thickness (up to 2 inches), replace the standard mounting arms with the shorter ones that are included with your speaker.



**Step 1:** Remove 4 long screws from the front of the speaker that attach to the mounting arms.



**Step 2:** Rotate the mounting arms 90 degrees so that they point to the outside of the speaker.



**Step 3:** Twist the mounting arm in the direction shown until it clears and you can remove it.

**Step 4:** Installation of the shorter thick-ceiling arms is the opposite of above. Insert the top of the arm through the retaining ring and twist down. Then reinstall the 4 long screws onto the front of the speaker.

## Painting Instructions

To paint the grill, first remove the fabric lining from the inside of the grill. Use spray-paint; applying several extremely light coats until the grill becomes the desired color. **Be careful not to clog the grill holes.** They need to remain open for the sound to travel. If holes become inadvertently covered with paint, clear them with a needle or unbent paper clip. When finished, the fabric lining can be either re-applied or discarded. The fabric is provided to prevent the black baffle of the speaker from being visible through the grill. It does not affect sound quality.

To paint the outer ring of the speakers, use the included paint shield. It snaps into place. After painting, be sure to remove the paint shield or you won't be happy with sound of your speakers.

## Specifications

Two – 4 1/2" woofers— Cone Material: Kevlar™

One – 7/8" soft-dome tweeter— Dome Material: Silk

Crossover: Hybrid 6/12 db/Octave 3,500 Hz with Lamcore and Air Core Inductors, Polypropylene Capacitors

Grill Fastened By Neodymium Rare Earth Magnets

Overall Dimensions: Outer Diameter: 11 5/8" Height: 3 3/4" Mounting Hole: Diameter: 10 1/8" Mounting Height: 3 7/16" Weight: 4 1/4 lbs.

Sensitivity — 89 db, 1 watt at 1 meter

Nominal Frequency Response 62-20,000 Hz (may vary depending on rear enclosure space)

Impedance: 8 ohms

# Peace Of Mind Warranty

We've worked countless hours without food, sleep, or television to build a speaker that will serve you well for many years. However, in the unlikely event it breaks and it's our fault, we'll fix it for free. Speakers are warranted for 5 years; electronics are warranted for 2 years.

We have designed your speaker to have its parts easily replaced by the user, requiring only a Phillips screwdriver and minimal technical knowledge. We may offer this solution to you in order to save you the expensive and hassle of sending your speaker to us.

## Here are the terms (sorry, our lawyer made us do this):

RSL warranties your speakers for a period of 5 years from the date of purchase. We warranty our subwoofer amplifiers for a period of 2 years from the date of purchase. Our products are warranted to be free of defects in original materials and workmanship. Our warranties apply to the original purchaser. To obtain warranty service, we ask you to help us out with the following:

1. Be able to furnish a copy of your sales invoice. However, if you can't find it, we'll do our best to fire up the computer and look it up for you.
2. The serial numbers must be intact and match those on your sales invoice.
3. Return authorization must first be obtaining by contacting us before sending your subwoofer to us. It must be properly packed.

Our speakers were designed for residential stereo or home theater use and must be used in this manner. They were not specifically designed for public address, musical instrument amplification, or other commercial or high intensity applications such as county fairs or NASCAR races. Such use is not covered under warranty.

Speakers returned under the terms of the warranty will be repaired or replaced at our option. We will pay for shipping the repaired product back to you if you live in the continental U.S. You are responsible for prepaying the shipping to us. Speakers that have been abused, operated improperly, improperly packed, tampered with, insulted or opened (without our prior permission) will not be repaired under warranty. This warranty does not cover damage caused by the use of faulty or improper audio/video components.

This is the total warranty. There are no other warranties, expressed or implied. No responsibility is assumed for any incidental or consequential damages. This warranty gives you specific legal rights, and you may have other rights which vary from state to state.

If you require service please contact us through our website or by phone (we promise to be nice about it even if you did something dumb).

26500 W. Agoura Road

Suite 571

Calabasas, CA 91302

(800)905-5485

[www.rslspeakers.com](http://www.rslspeakers.com)



A division of Rogersound Labs, LLC