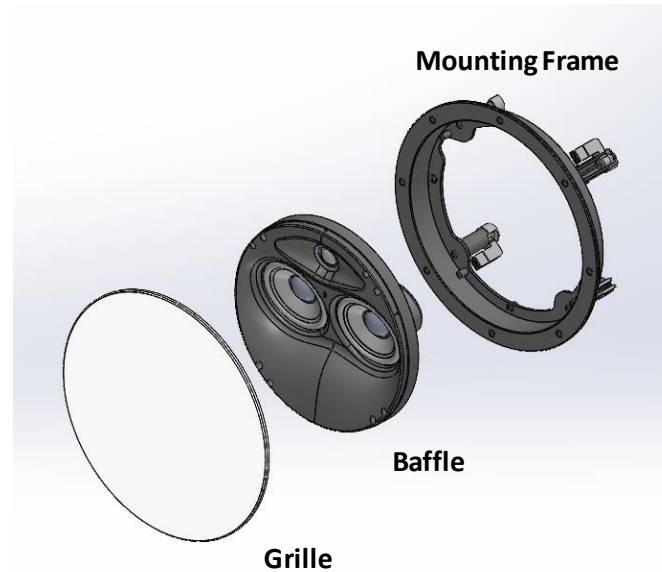
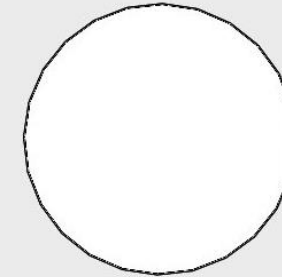


C34EMKII – PRODUCT UPDATE (Shipped after 3/15/2024)

RSL has updated the C34EMKII design to have the baffle separate from the mounting frame to allow for easier and more robust installation. The installer can now clearly see and avoid any possible interference when securing the mounting tabs. This ensures the most secure mounting and ideal orientation. There are (4) hex head screws included in the accessory bag with each speaker.

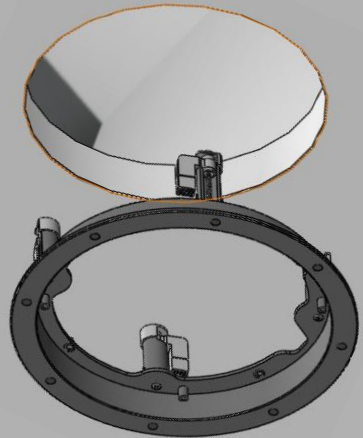


Step 1: Cutting the hole



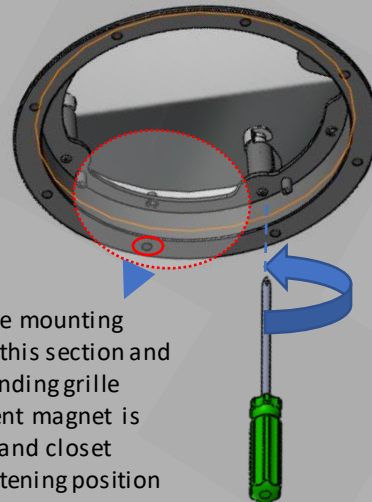
Use the Included cardboard template to mark and cut the hole for in your drywall. Make sure to avoid obstructions (electrical, beams, ducting, etc...)

Step 2a: Install and rotate mounting frame



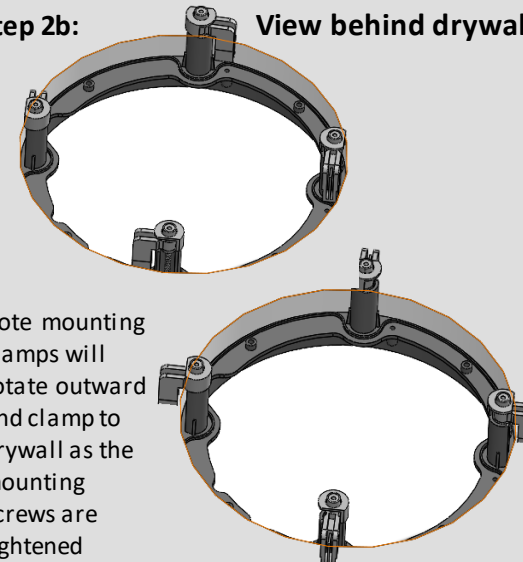
Rotate the mounting clamps inward so they can clear the opening when inserting.

Step 2b:



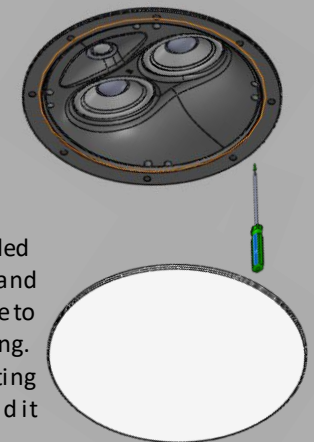
Rotate the mounting frame so this section and corresponding grille attachment magnet is oriented and closet to the listening position and then tighten the mounting screws.

Step 2b: View behind drywall



Note mounting clamps will rotate outward and clamp to drywall as the mounting screws are tightened

Step 3: Install the baffle to mounting frame



Using the included screws, tighten and secure the baffle to the mounting ring. Attach grille letting the magnets hold it in place.